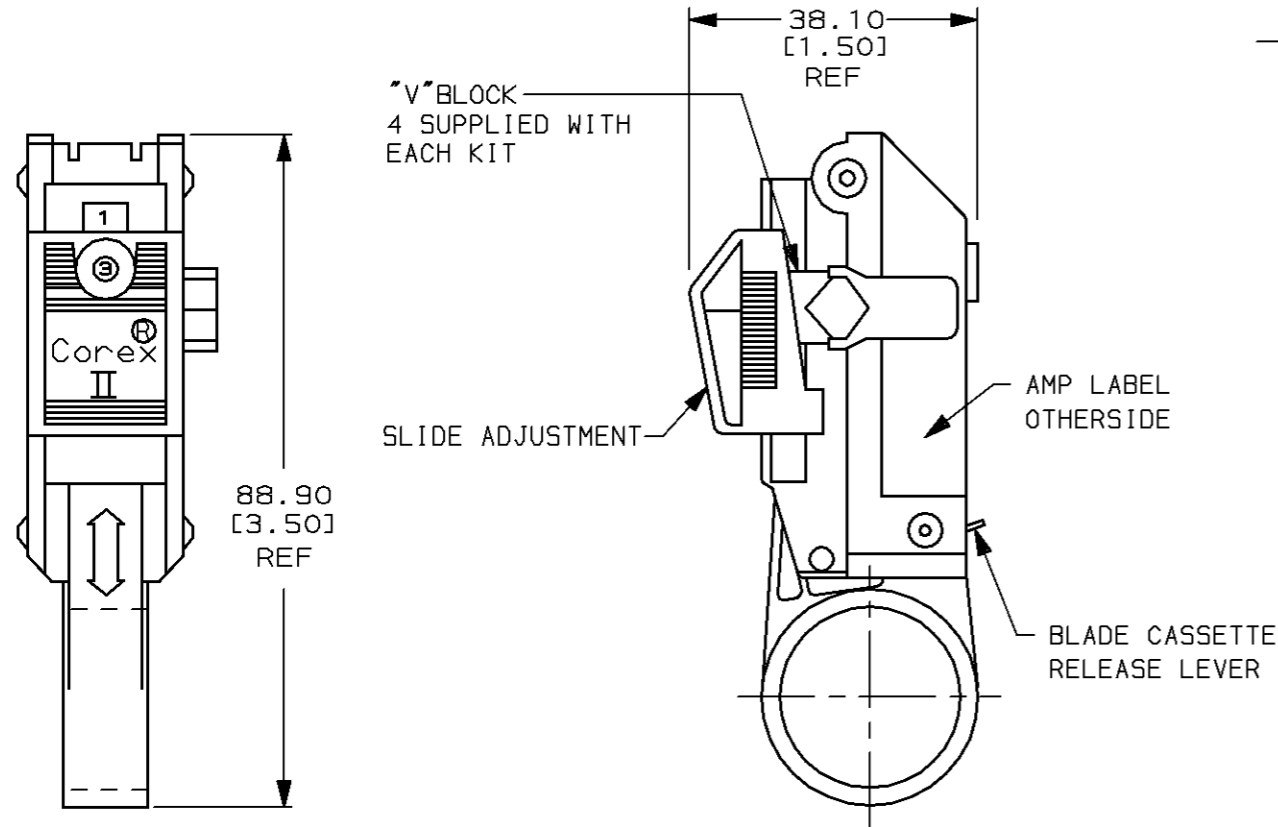


THIS DRAWING IS UNPUBLISHED. RELEASED FOR PUBLICATION, 19
 © COPYRIGHT 19 BY AMP INCORPORATED. ALL INTERNATIONAL RIGHTS RESERVED.

LOC	DIST	P	F	ZONE	LTR	REVISIONS	DATE	APPD
AJ	16				0	RELEASED PER 0220-0385-95	6-21-95	JG



LEGEND
 MADE IN SWEDEN
 PATENT PENDING
 BLADE ADJUSTMENT
 HEX SCREWS (3)
 REPLACEABLE BLADE CASSETTE
 INSIDE TOOL.

1. 2mm HEX KEY 603988-1, SUPPLIED WITH EACH KIT.
 2. FOUR "V" BLOCKS & ADJUSTMENT GAUGE, SUPPLIED WITH EACH KIT,
 3. TOOL KIT PACKED IN VINYL POUCH OR BOX WITH PART NUMBER AND MADE IN SWEDEN ON LABELS
 4. SHIPPING WEIGHT .19 Lb.
- △ SAME AS 603995-1 EXCEPT, 10 PER PACKAGE

TOOL KIT NO.	CASSETTE
603995-1	603996-1
603995-2	603996-2
603995-3	603996-3
603995-5	603996-4
603995-6	603996-5

2 STEP STYLE FOR SINGLE CRIMP BNC △	603995-9
3 STEP STYLE FOR DUAL CRIMP COMMERCIAL BNC	603995-6
3 STEP STYLE FOR DUAL CRIMP BNC	603995-5
2 STEP STYLE FOR ECONOMY UHF	603995-3
2 STEP STYLE FOR COMMERCIAL BNC	603995-2
2 STEP STYLE FOR SINGLE CRIMP BNC	603995-1

"V" BLOCK		CABLE	
PART NO.	COLOR	DIA. RANGE	RG #
603997-1	RED	3.05-5.08 [.120-.200]	195
603997-2	BLUE	5.08-6.35 [.200-.250]	58, 59, 62
603997-3	YELLOW	6.35-7.62 [.250-.300]	BELDEN 8281
603997-4	WHITE	2.54-3.05 [.100-.120]	174, 188

THIS DRAWING IS A CONTROLLED DOCUMENT FOR AMP INCORPORATED. IT IS SUBJECT TO CHANGE AND THE CONTROLLING ENGINEERING ORGANIZATION SHOULD BE CONTACTED FOR THE LATEST REVISION.

DO NOT SCALE PRINT. UNLESS SPECIFIED DIMENSIONS IN mm [INCHES] TOLERANCES ON: 2 PLC DEC ± 0.38 [.015] 3 PLC DEC ± - ANGLES ± -		DR J.L.GROFT 6-21-95	AMP AMP Incorporated Harrisburg, PA 17105-3608
MATERIAL -		CHK R.J.KOBLER 6-21-95	
FINISH -		APPD R.J.KOBLER 6-21-95	NAME
		APPD J.L.GROFT 6-21-95	COAXIAL CABLE STRIPPER
		PRODUCT SPEC -	SIZE B
		APPLICATION SPEC -	CAGE CODE 00779
		WEIGHT -	DRAWING NO C-603995
			SCALE 1:1
			SHEET 1 OF 1